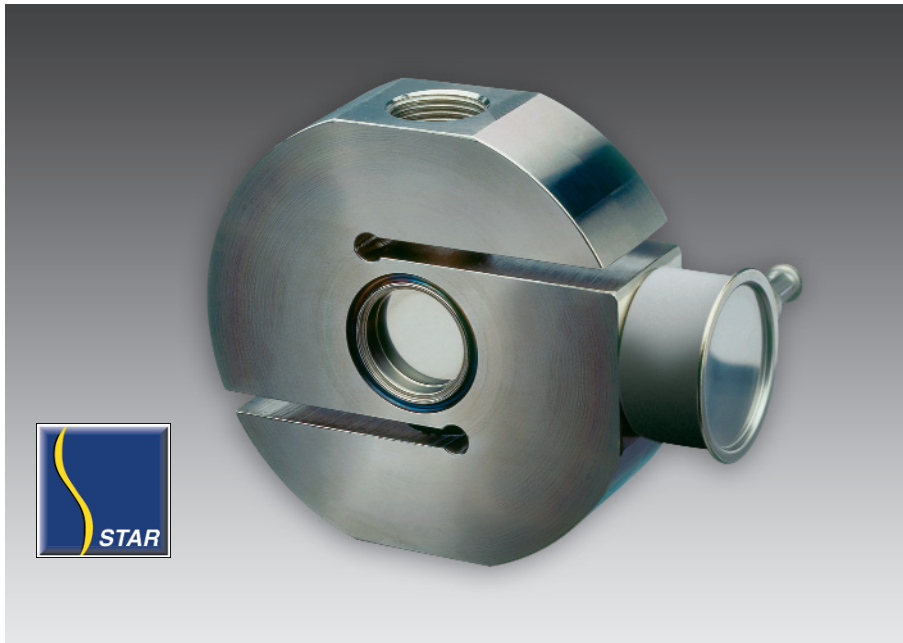




PR 6246 Tension S-Type Load Cell



100 kg... 3 t, Type D1/C3/C6

- Easy to install
- Easy corner adjustment by matched load cell outputs
- Full stainless steel construction
- Wide temperature range
- Resistant against vibration
- Hermetically sealed, IP68 (depth of 1.5 m for 10,000 hrs.), IP69K
- Ex-version available
- W&M approval (acc. to OIML R 60)

Product Profile

The PR 6246 range of load cells is specially designed for high-precision weighing of process vessels and for high-precision dosing. Due to the fact that the container is suspended, movements arising from mechanical or thermal expansion or contraction of the vessel or its supporting construction can be counterbalanced.

The load cell is manufactured entirely from stainless steel. A particular design characteristic is the compact construction with a high overload range of up to 150 % and the highest accuracy class of up to C6.

At the same time, this range distinguishes itself – in addition to its high measurement accuracy and repeatability – above all for its unmatched reliability, robustness and stability, which enable trouble-free operation without adjustment, year after year.

The associated installation kit ensures that the transmission of force into the sensor is always at the optimum level and, in this way, the effect on measurement accuracy is minimized, whilst high repeatability and perfect linearity are maintained.

There is a particularly wide working temperature range attributable to special resistance strain gauge technology. The hermetically sealed enclosure and special TPE cable allow the unit to be used even under extreme operating conditions in harsh production environments.

The entire measurement chain can be calibrated without the use of a reference weight. Due to "matched output" technology, a damaged load cell can be exchanged without the need for re-calibration. This saves a tremendous amount of time during commissioning.

An explosion-proof (Ex) version of this range of load cells is also available, as an option, for use in intrinsically safe environments.

Load cell construction

S-shape design with integrated load return.
Full stainless steel construction, hermetically sealed, welded, filled with inert gas.

Material

Load cell: 1.4542 (DIN 17440)
Similar to S604, S622 (B.S.), 17-4 PH

Ingress protection

IP68, IEC 529/EN60529:
1.5 m water column/10,000 h.
IP69K, DIN 40050: water under high pressure, steam cleaning, sealing equivalent to NEMA 6.

Cable

Robust, flexible, screened
Sheath: TPE Thermopl. Elastomere,
Colour: grey (Ex: blue)
Diameter: 5 mm, wires 4 x 0.35 mm²
Length: 5 m

Bending radius

Fixed installation: ≥ 50 mm
Flexible installation: ≥ 150 mm

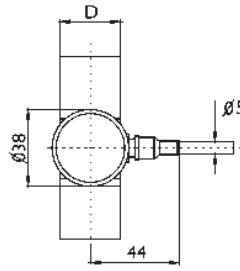
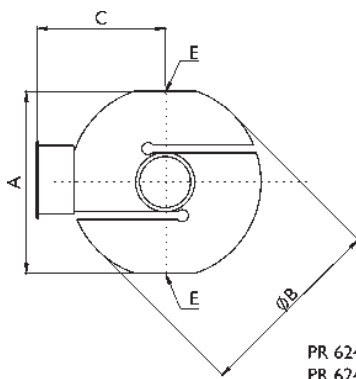
Certificate of conformity

Valid for: PR 6246/..E
Feature:
II 1G EEx ia IIC T6, II 1D IP65 85 °C
Registration number:
PTB 02 ATEX 2059, TÜV 03 ATEX 2301x

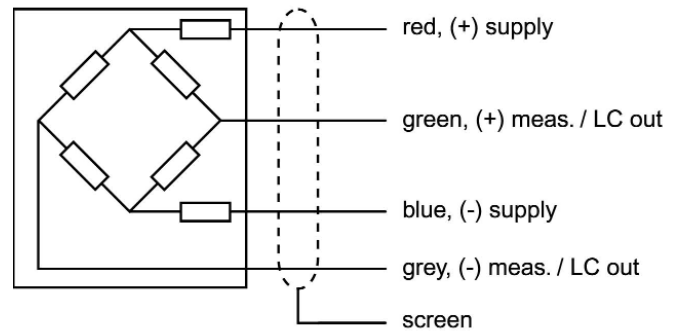
Technical Data			D1	C3	C6	
Accuracy class			0.04	0.015	0.008	% E _{max}
Minimum dead load	lowest limit of specified measuring range	E _{min}	0	0	0	% E _{max}
Maximum capacity	highest limit of specified measuring range	E _{max}	s. table	s. table	s. table	
Max. usable load	upper limit for measurements	E _u	150	150	150	% E _{max}
Destructive load	danger of mechanical destruction	E _d	> 300	> 300	> 300	% E _{max}
Min. LCverification	minimum load cell verification interval, (v _{min} = E _{max} /Y)	Y	5,000	14,000	20,000	
Deadload output return	factor for dead load output return after load (DR=1/2*E _{max} /Z)	Z			8,000	
Rated output	relative output at nominal load	C _n	2	2	2	mV/V
Tolerance on rated output	permissible deviation from rated output	d _c	< 0.25	< 0.07	< 0.07	% C _n
Zero output signal	load cell output signal under unloaded condition	S _{min}	< 1.0	< 1.0	< 1.0	% C _n
Repeatability error	max. change in load cell output for repeated loading	ε _R	< 0.01	< 0.005	< 0.005	% C _n
Creep, during 30 min.	max. change in load cell output under nominal load	d _{cr}	< 0.03	< 0.015	< 0.008	% C _n
Non-Linearity	max. deviation from best straight line through zero	d _{lin}	< 0.03	< 0.01	< 0.01	% C _n
Hysteresis	max. difference in load cell output when loading from zero to nominal load and unloading back to zero	d _{hy}	< 0.04	< 0.015	< 0.008	% C _n
Temperature effect on S _{min}	max. change of S _{min} per 10 K over B _T referred to C _n	TK _{Smin}	< 0.028	< 0.01	< 0.007	% C _n /10 K
Temperature effect on C	max. change of C per 10 K over B _T referred to C _n	TK _c	< 0.03	< 0.01	< 0.005	% C _n /10 K
Input impedance	between supply terminals	R _{LC}	650 ± 6	650 ± 6	650 ± 6	Ω
Output impedance	between measuring terminals	R _o	610 ± 1	610 ± 0.5	610 ± 0.5	Ω
Insulation impedance	between measuring circuit and housing 100 V _{DC}	R _{IS}	> 5,000	> 5,000	> 5,000	> 5,000 x 10 ⁶ Ω
Insulation voltage	between circuit and housing, PR 6246/..E only		500	500	500	V
Recommended supply voltage	to hold the specified performance supply voltage	B _u	4... 24	4... 24	4... 24	V
Max. supply voltage	permissible for continuous operation without damage	U _{max}	28 (EX:25)	28 (EX:25)	28 (EX:25)	V
Nominal ambient temp. range	to hold the specified performance	B _T	-10... +55	-10... +55	-10... +55	°C
Usable ambient temp. range	permissible for continuous operation without damage	B _{Tu}	-40... +95	-40... +95	-40... +95	°C
Storage temperature range	Transportation and storage	B _{Tt}	-40... +95	-40... +95	-40... +95	°C
Vibration resistance	resistance against oscillation (IEC 68-2-6 Fc)	-	20 g, 100 h, 10... 150 Hz	20 g, 100 h, 10... 150 Hz	20 g, 100 h, 10... 150 Hz	
Air pressure effects	influence of ambient air pressure on S _{min}	PK _{Smin}	≤ 0.005	≤ 0.0025	0.0025	% C _n /kPa
Nominal deflection	max. elastic deformation under nominal load	S _{nom}	< 0.3	< 0.3	< 0.3	mm

Definitions acc. to VDI / VDE 2637

The technical data given here serve only as a product description and must not be interpreted as guaranteed characteristics in the legal sense.



	A	B	C	D	E
PR 6246/12.../52	60	65	50	23	M12
PR 6246/13.../33	90	95	64	30	M20x1.5



Dimensions in mm

Connection diagram

Order information

Type	Nominal Load E_{max}	Version	Ex-Version	Packing	Weight gross/net
PR 6246/12..	100 kg	/..D1	/..D1E	220 x 215 x 135 mm	1.2 kg/0.8 kg
PR 6246/22..	200 kg	/..D1/..C3/..C6	/..D1E/..C3E/C6E	220 x 215 x 135 mm	1.2 kg/0.8 kg
PR 6246/32..	300 kg	/..D1/..C3/..C6	/..D1E/..C3E/C6E	220 x 215 x 135 mm	1.2 kg/0.8 kg
PR 6246/52..	500 kg	/..D1/..C3/..C6	/..D1E/..C3E/C6E	220 x 215 x 135 mm	1.2 kg/0.8 kg
PR 6246/13..	1 t	/..D1/..C3/..C6	/..D1E/..C3E/C6E	220 x 215 x 135 mm	1.9 kg/1.6 kg
PR 6246/23..	2 t	/..D1/..C3/..C6	/..D1E/..C3E/C6E	220 x 215 x 135 mm	2.1 kg/1.6 kg
PR 6246/33..	3 t	/..D1/..C3/..C6	/..D1E/..C3E/C6E	220 x 215 x 135 mm	2.1 kg/1.7 kg

Type	Further options	Dimensions	Ordernumber
PR 6130/08	Plastic cable junction box material plastic, for all industrial applications, max. 8 load cells	250 x 180 x 90 mm	9405 361 30081
PR 6130/04	Cable junction box Aluminium, grey printed, IP68, for all industrial applications, max. 4 load cells	175 x 80 x 57 mm	9405 361 30041
PR 6130/64	Stainless steel cable junction box Material 1.4301, IP68, IP69K, for all industrial, intrinsically and safe, W&M applications max 4 load cells	195 x 114 x 59 mm	9405 361 30642
PR 6130/68	Stainless steel cable junction box material stainless steel 1.4404, IP68, for all industrial, applications, max. 8 load cells	200 x 160 x 60 mm	9405 361 21682
PR 6135	Extension cable for all applications	D = 9 mm	9405 361 35.. 2
PR 6135/..A	Extension cable, armoured for all applications, grey	D = 13 mm	9405 361 35.. 9
PR 6136	Extension cable for intrinsically safe applications, blue	D = 11 mm	9405 361 36.. 2
PR 6136/..A	Extension cable, armoured for intrinsically safe applications, blue	D = 13 mm	9405 361 36.. 9
PR 6143/80N	Pivoting rod up to 2 kN horizontal force, tool steel, electroplated corrosion protection		9405 361 43801
PR 6143/83N	Pivoting rod up to 20 kN horizontal force, mild steel, zinc plated tool steel, electroplated corrosion protection		9405 361 43831
PR 6046/00S	Stainless steel swivel bearing material 1.4301, tension mounting kit for load cells up to 500 kg nominal load		9405 360 46002
PR 6046/00N	Swivel bearing material mild steel, zinc plated, tension mounting kit for load cells up to 500 kg nominal load		9405 360 46001
PR 6046/11S	Stainless steel swivel bearing material 1.4548, tension mounting kit for load cells 1 t - 3 t nominal load		9405 360 46112
PR 6046/11N	Swivel bearing material mild steel, zinc plated, tension mounting kit for load cells 1 t - 3 t nominal load		9405 360 46111

Specifications subject to change
without notice.
Printed in Germany.
n/sart • C
9498 762 46001
Version 08.2009

Sartorius Mechatronics T&H GmbH
Meiendorfer Straße 205
22145 Hamburg, Germany
Tel. +49.40.67960.303
Fax +49.40.67960.383
info.mechatronics@sartorius.com
www.sartorius-mechatronics.com